

HMR 355 T4 0,55kW (261350640)

GENERAL DATA



LONG CASED FAN WITH BACKWARD TURBINE

MANUFACTURING FEATURES:

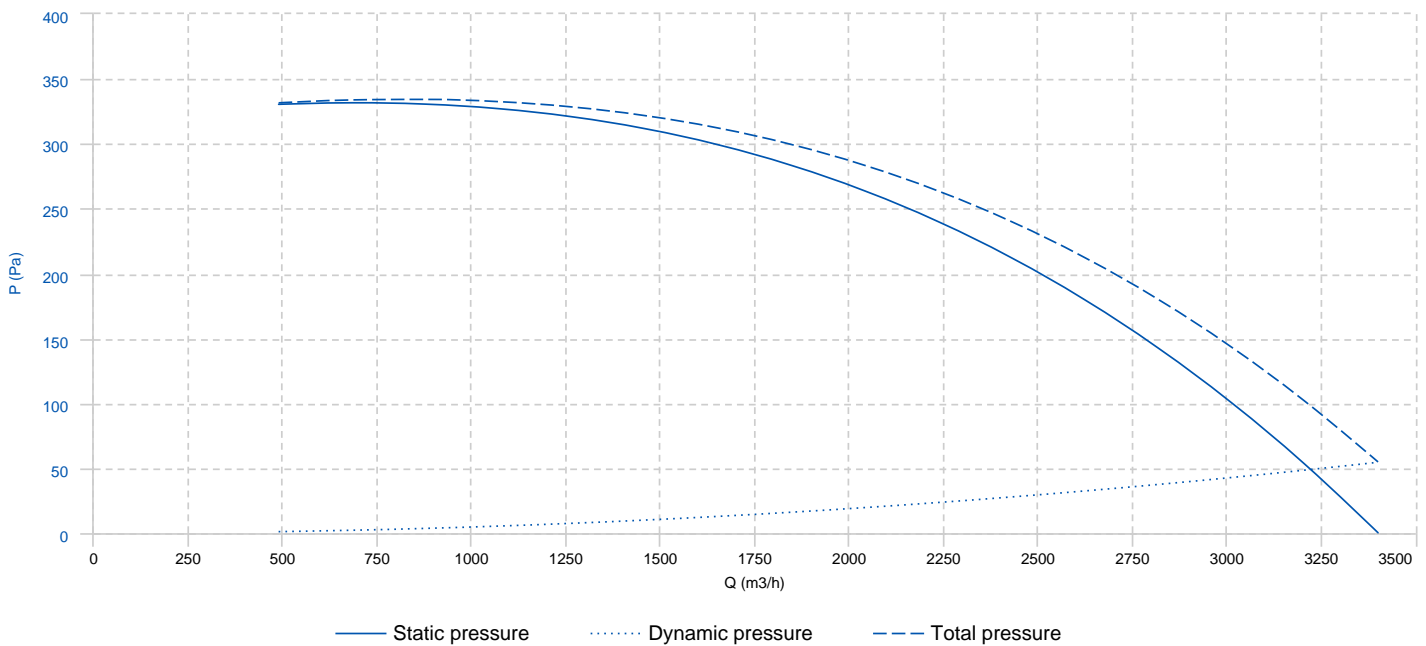
- Reinforced fan casing manufactured in rolling steel sheet. Polyester powder finishing coat. Housing with motor access door.
- High efficiency backward impeller with self-cleaning system in steel sheet, balanced static and dynamically in origin.
- Standard asynchronous squirrel-cage motor with IP-55 protection and Class F insulation. Standard voltages 230/400V 50Hz .
- Maximum working temperature 60°C.

APPLICATIONS:

Designed for inline installation, they are suitable for:

- Air renewal in buildings and industries.
- Smoke extraction.

PERFORMANCE CURVE

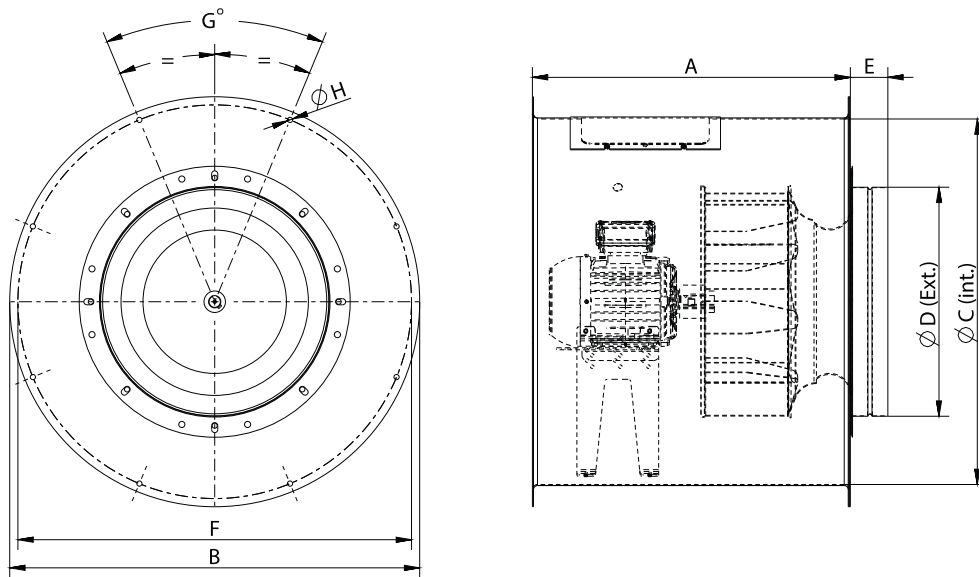


TECHNICAL DATA

Fan

RPM	1400	Approx. weight	68 kg	Max. Flow	3590 m³/h
-----	------	----------------	-------	-----------	-----------

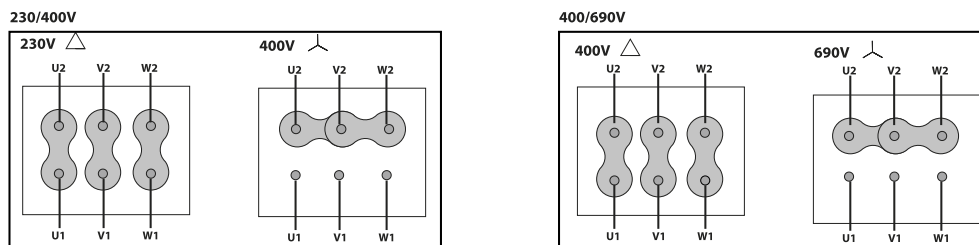
DIMENSIONS



Dimensions (mm)

A	562	ϕB	646	ϕC	559	ϕD	348	E	70
ϕF	620	G	6x60°	ϕH	10,2				

WIRING DIAGRAM



ACCESSORIES



SAFETY SWITCH
INT 6,5 1V
REF: FX452508



INLET-OUTLET PROTECTION GUARD
RP 56
REF: 960330100



OPTIONAL MOUNTING SUPPORT
PO 56
REF: 960001657



FLEXIBLE JOINT
JE 45
REF: 300719201



FREQUENCY SPEED CONTROLLER
SFC M 0,75kW
 REF: 960002522

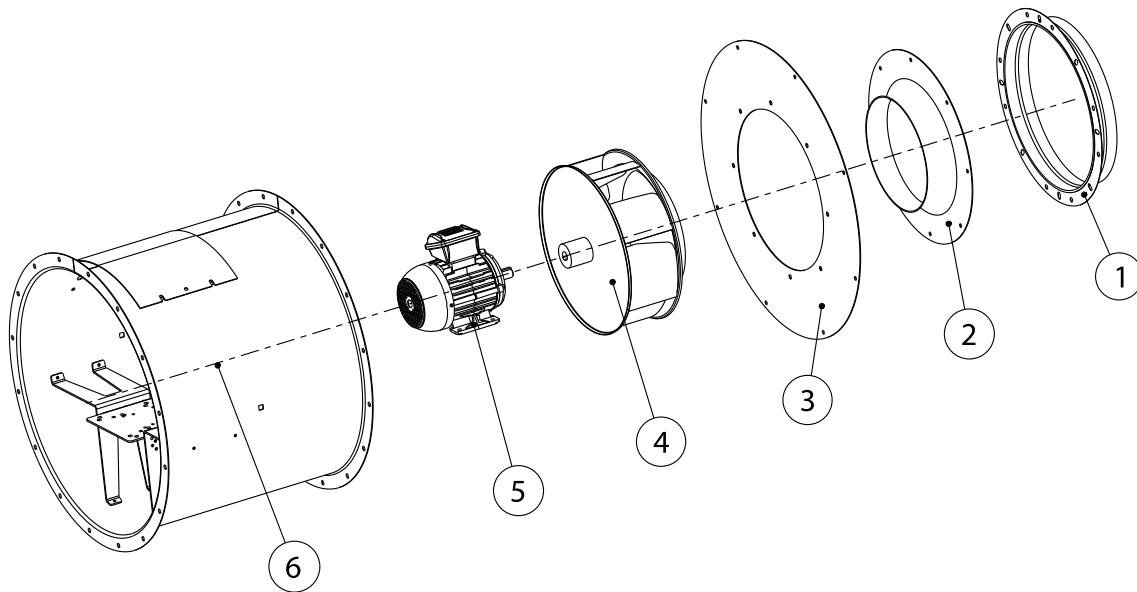


FREQUENCY SPEED CONTROLLER
SFC T 1,1kW
 REF: 960002528



EMC FILTER
Filtro EMC - SFC T 0,55 a 2,2kW
 REF: 960002527

SPARE PARTS



	Code	Family	Model	RPM	Degrees
1	960003211	1 x FLANGE	AC-350	-	-
2	279351680	1 x INLET CONE	ED11 355	-	-
3	261351685	1 x ADAPTATION DISC	HMR355	-	-
4	CTB-N352-24LG	1 x TURBINE	TURB.NIMUS 355-2 D24 LG	-	-
5	721001137	1 x MOTOR	0,55kW T4 B3 230/400V	-	-