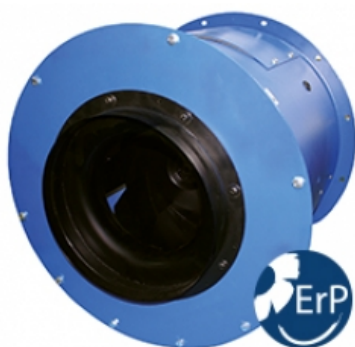


# HMR 355 T2 2,2kW (261350620)

## GENERAL DATA



LONG CASED FAN WITH BACKWARD TURBINE

MANUFACTURING FEATURES:

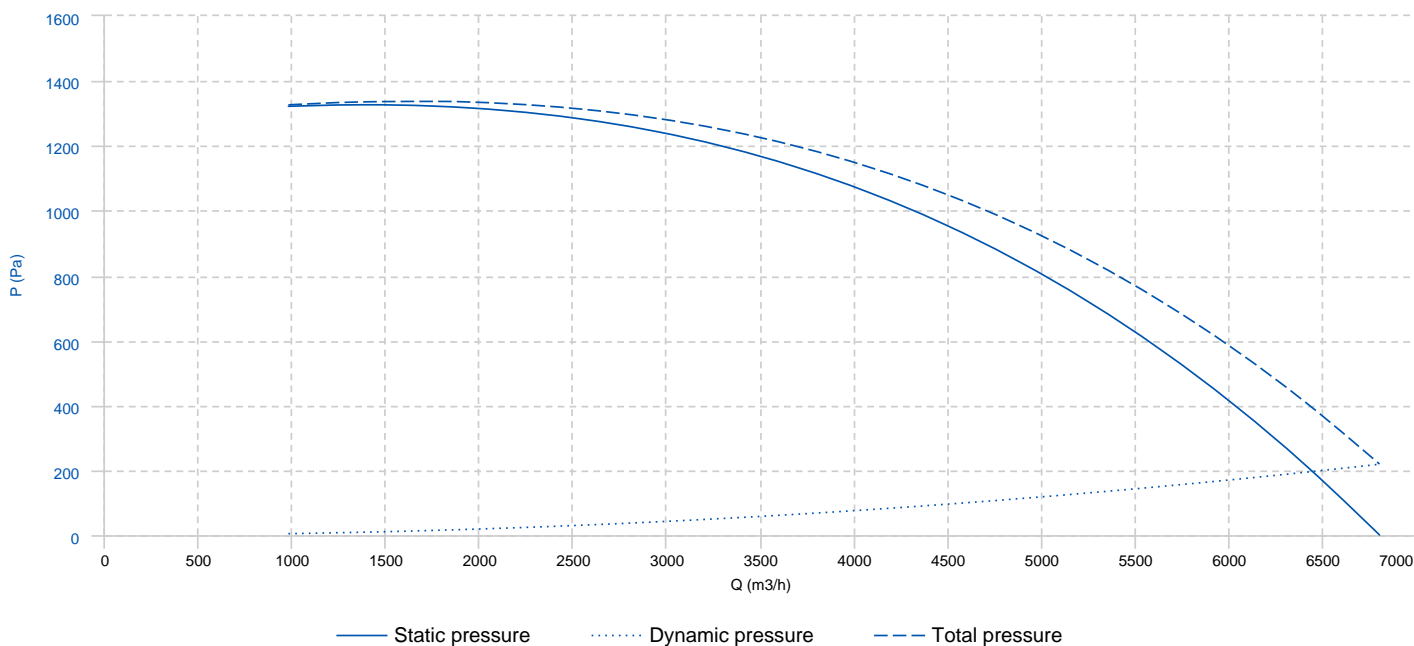
- Reinforced fan casing manufactured in rolling steel sheet. Polyester powder finishing coat. Housing with motor access door.
- High efficiency backward impeller with self-cleaning system in steel sheet, balanced static and dynamically in origin.
- Standard asynchronous squirrel-cage motor with IP-55 protection and Class F insulation. Standard voltages 230/400V 50Hz .
- Maximum working temperature 60°C.

APPLICATIONS:

Designed for inline installation, they are suitable for:

- Air renewal in buildings and industries.
- Smoke extraction.

## PERFORMANCE CURVE

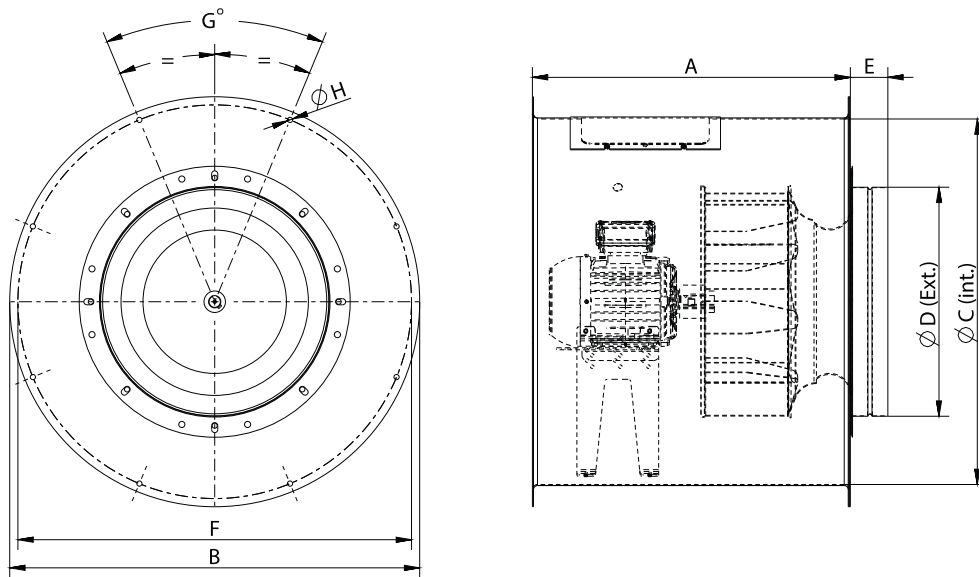


## TECHNICAL DATA

Fan

RPM	2800	Approx. weight	60 kg	Max. Flow	6740 m <sup>3</sup> /h
-----	------	----------------	-------	-----------	------------------------

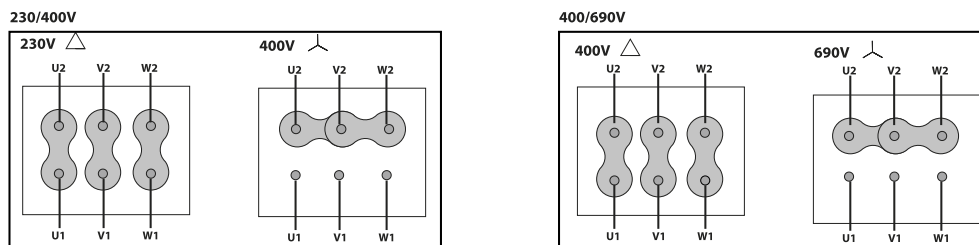
## DIMENSIONS



Dimensions (mm)

A	562	$\phi B$	646	$\phi C$	559	$\phi D$	348	E	70
$\phi F$	620	G	6x60°	$\phi H$	10,2				

## WIRING DIAGRAM



## ACCESSORIES



**SAFETY SWITCH**  
INT 6,5 1V  
REF: FX452508



**INLET-OUTLET PROTECTION GUARD**  
RP 56  
REF: 960330100



**OPTIONAL MOUNTING SUPPORT**  
PO 56  
REF: 960001657

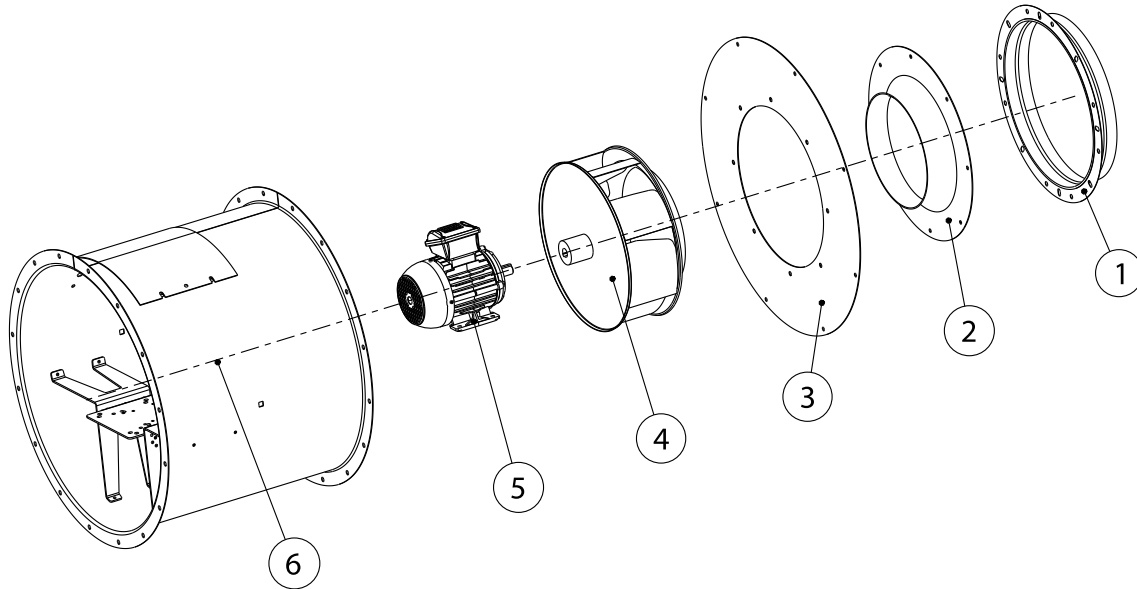


**FLEXIBLE JOINT**  
JE 45  
REF: 300719201



**FREQUENCY SPEED CONTROLLER**  
**SFC T 3kW**  
 REF: 960002530

## SPARE PARTS



	Code	Family	Model	RPM	Degrees
1	960003211	1 x FLANGE	AC-350	-	-
2	279351680	1 x INLET CONE	ED11 355	-	-
3	261351685	1 x ADAPTATION DISC	HMR355	-	-
4	CTB-N352-24LG	1 x TURBINE	TURB.NIMUS 355-2 D24 LG	-	-
5	721001053	1 x MOTOR	2,2kW T2 B3 230/400V	-	-