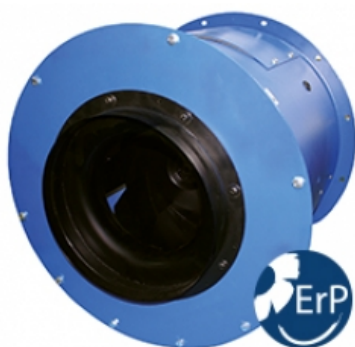


HMR 315 T4 0,25kW (261310640)

GENERAL DATA



LONG CASED FAN WITH BACKWARD TURBINE

MANUFACTURING FEATURES:

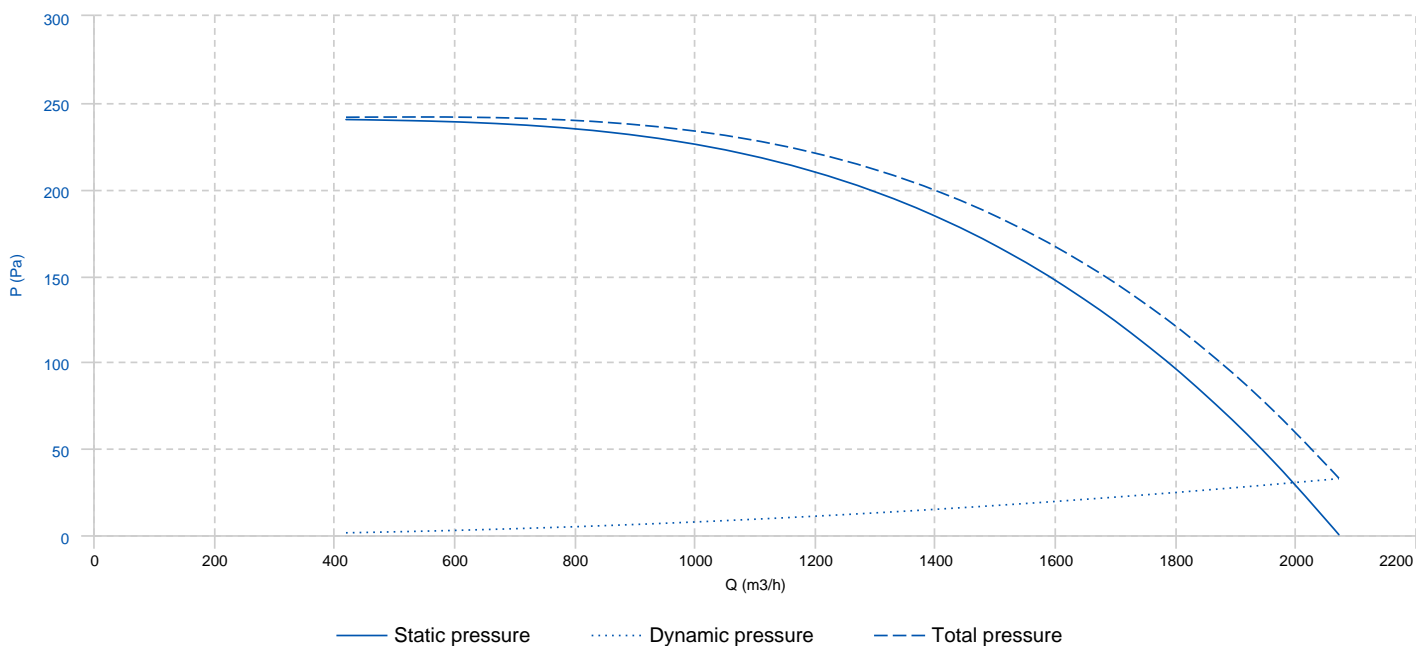
- Reinforced fan casing manufactured in rolling steel sheet. Polyester powder finishing coat. Housing with motor access door.
- High efficiency backward impeller with self-cleaning system in steel sheet, balanced static and dynamically in origin.
- Standard asynchronous squirrel-cage motor with IP-55 protection and Class F insulation. Standard voltages 230/400V 50Hz .
- Maximum working temperature 60°C.

APPLICATIONS:

Designed for inline installation, they are suitable for:

- Air renewal in buildings and industries.
- Smoke extraction.

PERFORMANCE CURVE



TECHNICAL DATA

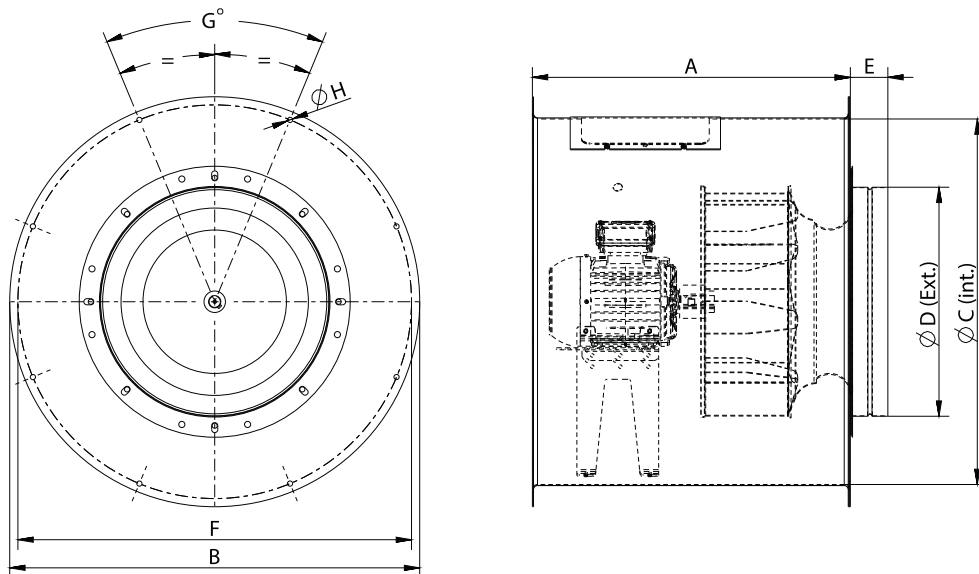
Fan

RPM 1400

Approx. weight 73 kg

Max. Flow 2180 m³/h

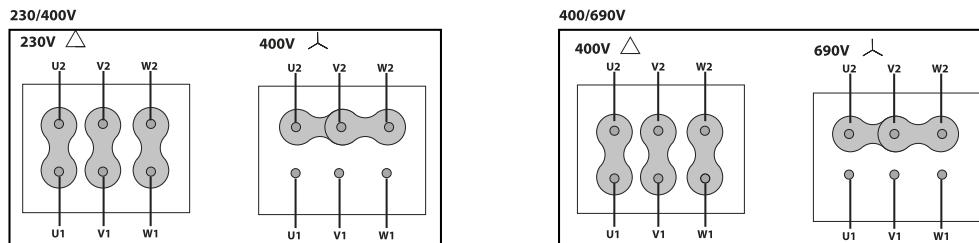
DIMENSIONS



Dimensions (mm)

A	482	ϕB	600	ϕC	504	ϕD	298	E	70
ϕF	560	G	6x60°	ϕH	10,2				

WIRING DIAGRAM



ACCESSORIES



SAFETY SWITCH
INT 6,5 1V
REF: FX452508



INLET-OUTLET PROTECTION GUARD
RP 50
REF: 960320100



OPTIONAL MOUNTING SUPPORT
PO 50
REF: 960001656



FLEXIBLE JOINT
JE 45
REF: 300719201



FREQUENCY SPEED CONTROLLER
SFC M 0,37kW
 REF: 960002520

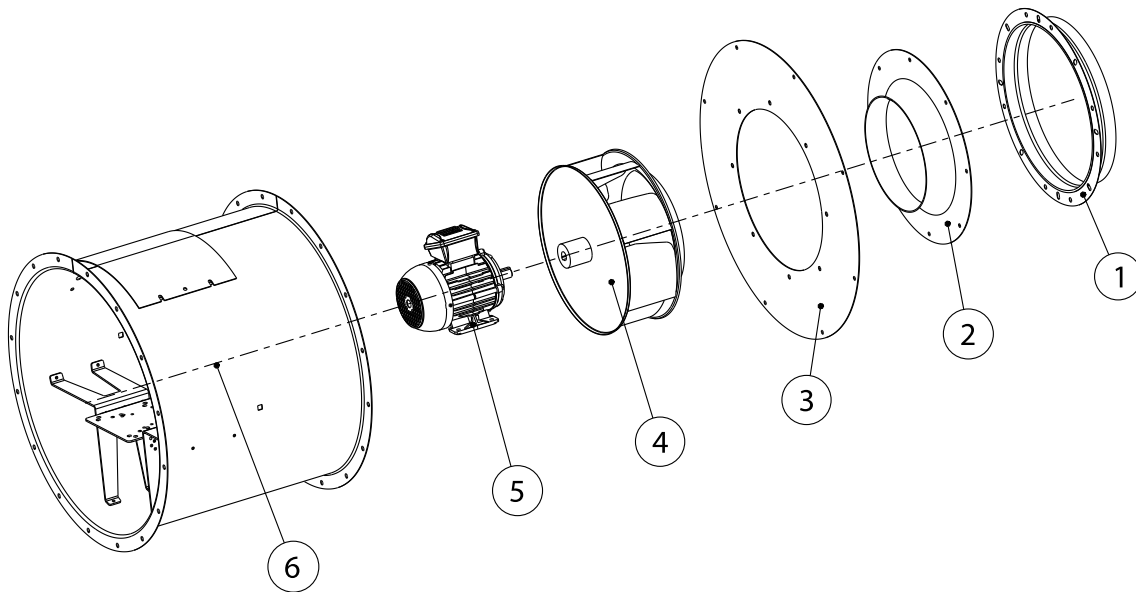


FREQUENCY SPEED CONTROLLER
SFC T 0,55kW
 REF: 960002526



EMC FILTER
Filtro EMC - SFC T 0,55 a 2,2kW
 REF: 960002527

SPARE PARTS



	Code	Family	Model	RPM	Degrees
1	960003209	1 x FLANGE	AC-315	-	-
2	279311680	1 x INLET CONE	ED11 315	-	-
3	261311685	1 x ADAPTATION DISC	HMR315	-	-
4	CTB-N311-19LG-02	1 x TURBINE	TURB.NIMUS 315-1 D19 LG	-	-
5	721001125	1 x MOTOR	0,25kW T4 B3 230/400V	-	-